

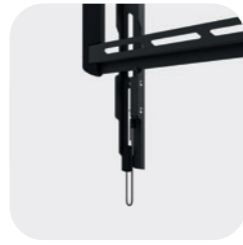
Neomounts®



LEVEL series



Range specification



Fixed

VESA: 50x50 - 800x400

Fixed

Screen size: 24-86"

Integrated spirit level
for easy installation

Capacity: 0-60 kg

Ultra-flat
Distance to wall: 2,3 cm

Magnetic pull & release system



- Screens up to 86" (VESA 50x50 - 800x400)
- Magnetic pull & release system for easy screen installation

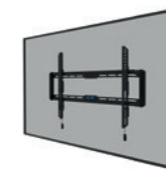
- Ultra flat 2,3 cm profile
- Integrated spirit level for fast alignment



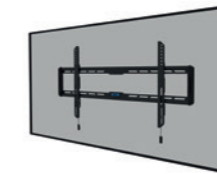
WL30-550BL12
Screen size: 24-65"
Capacity: 40 kg
VESA: 50x50 - 200x200



WL30-550BL14
Screen size: 32-75"
Capacity: 50 kg
VESA: 100x100 - 400x400



WL30-550BL16
Screen size: 42-86"
Capacity: 60 kg
VESA: 100x100 - 600x400



WL30-550BL18
Screen size: 43-86"
Capacity: 60 kg
VESA: 100x100 - 800x400





- Screens up to 86" (VESA 75x75 - 800x400)
- Tilt function for optimal viewing position
- Integrated spirit level for fast alignment

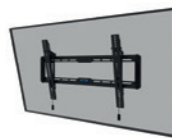
- Flat 3,3 cm profile
- Magnetic pull & release system for easy screen installation



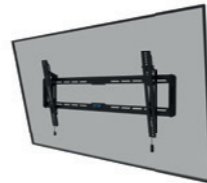
WL35-550BL12
 Screen size: 24-65"
 Tilt: 12°
 Capacity: 40 kg
 VESA: 75x75 - 200x200



WL35-550BL14
 Screen size: 32-75"
 Tilt: 12°
 Capacity: 50 kg
 VESA: 100x100 - 400x400



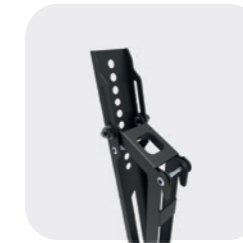
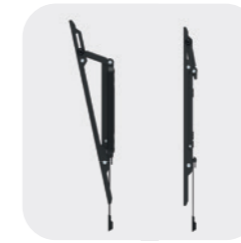
WL35-550BL16
 Screen size: 42-86"
 Tilt: 12°
 Capacity: 60 kg
 VESA: 100x100 - 600x400



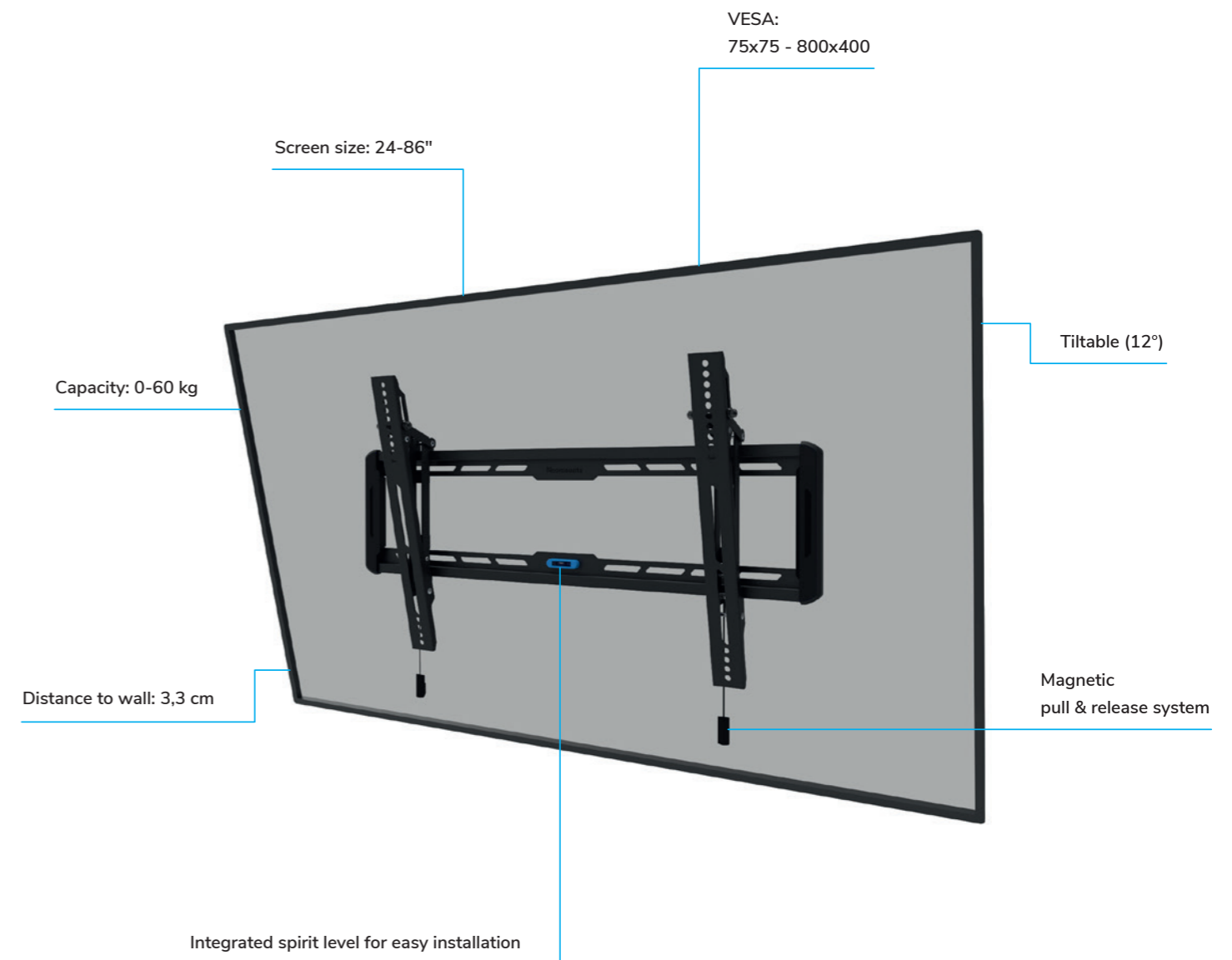
WL35-550BL18
 Screen size: 43-86"
 Tilt: 12°
 Capacity: 60 kg
 VESA: 100x100 - 800x400



Range specification



Tilt

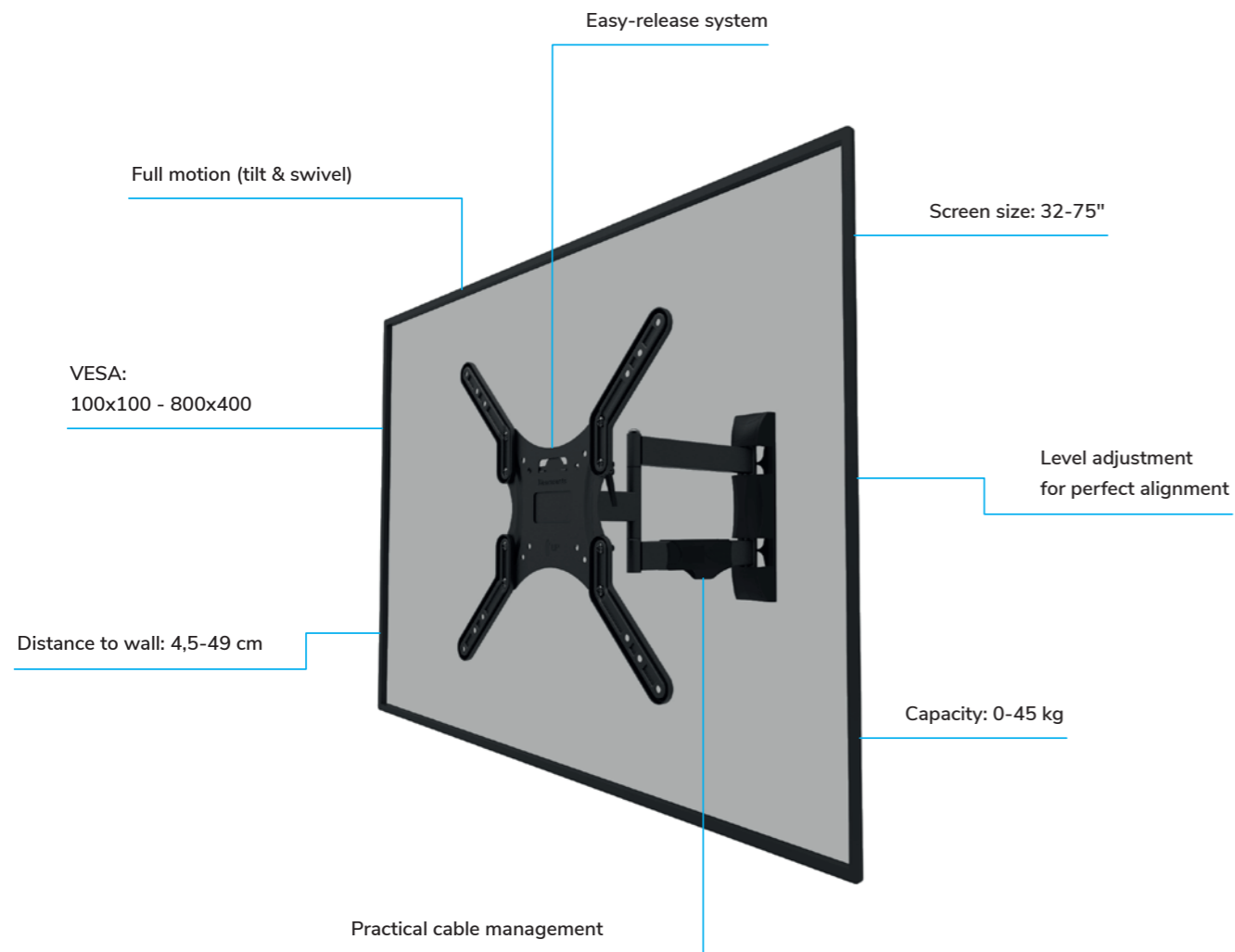




Range specification



Full motion



- Screens up to 75" (VESA 100x100 - 800x400)
- Tilt and swivel function for optimal viewing position
- Level adjustment for perfect alignment

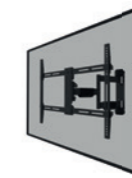
- Pull out system for flexible screen positioning
- Easy-release system for easy screen installation
- Practical cable management



WL40-550BL12
 Screen size: 32-55"
 Tilt: +12°-2°, swivel: 40°
 Capacity: 35 kg
 VESA: 100x100 - 200x200



WL40-550BL14
 Screen size: 32-55"
 Tilt: +12°-2°, swivel: 40°
 Capacity: 35 kg
 VESA: 100x100 - 400x400



WL40-550BL16
 Screen size: 40-65"
 Tilt: +12°-2°, swivel: +45°-45°
 Capacity: 40 kg
 VESA: 200x100 - 600x400



WL40-550BL18
 Screen size: 43-75"
 Tilt: +15°-3°, swivel: 54°
 Capacity: 45 kg
 VESA: 200x100 - 800x400



WL40-540BL12
 Screen size: 32-55"
 Tilt: +12°-2°, swivel: 30°
 Capacity: 35 kg
 VESA: 100x100 - 200x200



WL40-540BL14
 Screen size: 32-55"
 Tilt: +12°-2°, swivel: 30°
 Capacity: 35 kg
 VESA: 100x100 - 400x400



LEVEL | 850



- Screens up to 86" (VESA 50x50 - 800x400)
- Magnetic pull & release system for easy screen installation
- Height and level adjustment for perfect alignment

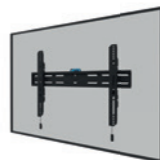
- Flat 3,3 cm profile
- Lockable brackets for extra security
- Magnetic spirit level and fixing template for quick installation



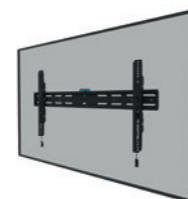
WL30S-850BL12
Screen size: 24-65"
Capacity: 40 kg
VESA: 50x50 - 200x200



WL30S-850BL14
Screen size: 32-75"
Capacity: 50 kg
VESA: 100x100 - 400x400



WL30S-850BL16
Screen size: 42-86"
Capacity: 60 kg
VESA: 100x100 - 600x400



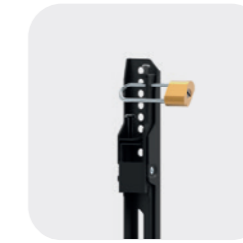
WL30S-850BL18
Screen size: 43-86"
Capacity: 60 kg
VESA: 100x100 - 800x400

AV2-500BL/WH
Universal videobar kit

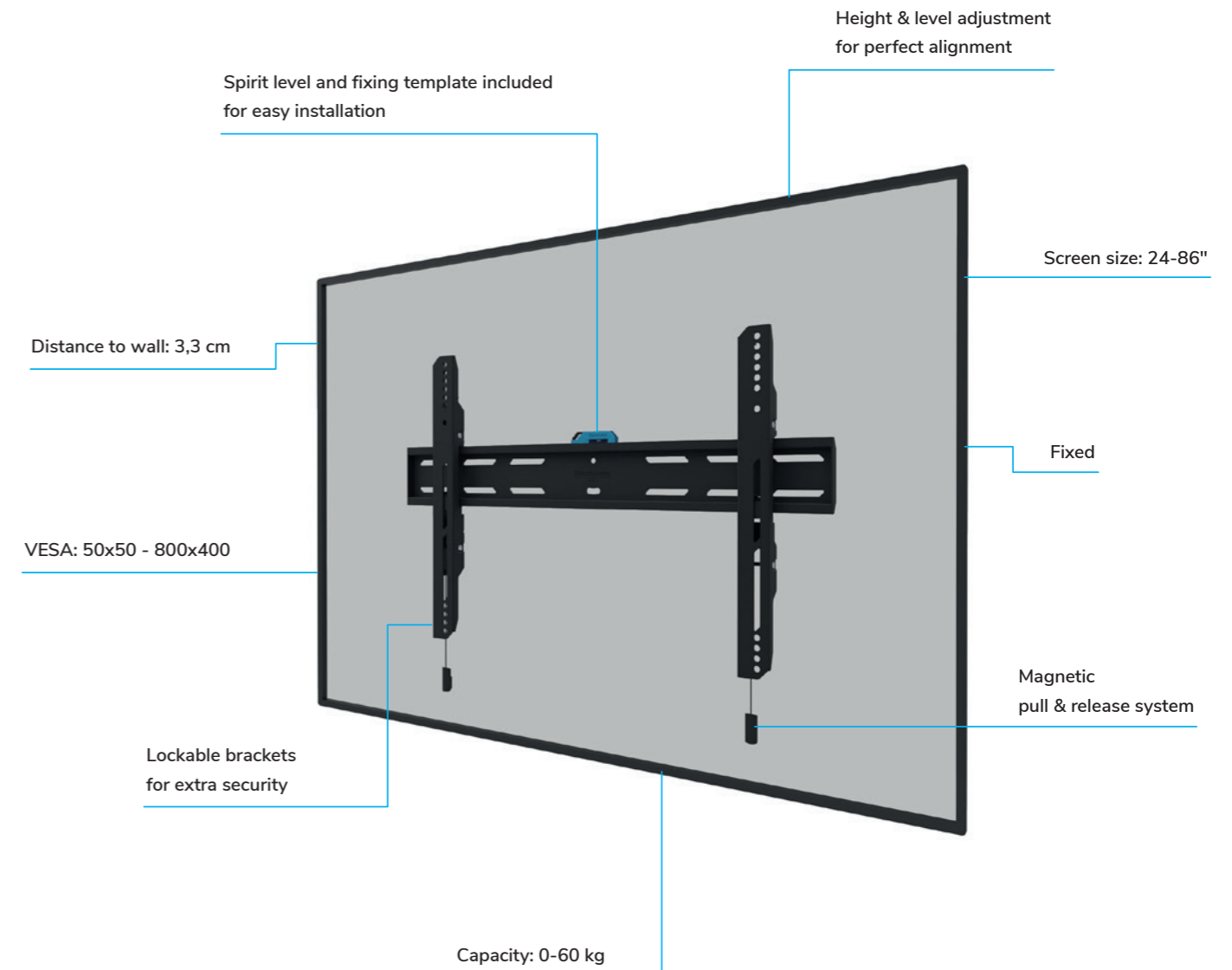
LEVEL | 850



Range specification



Fixed

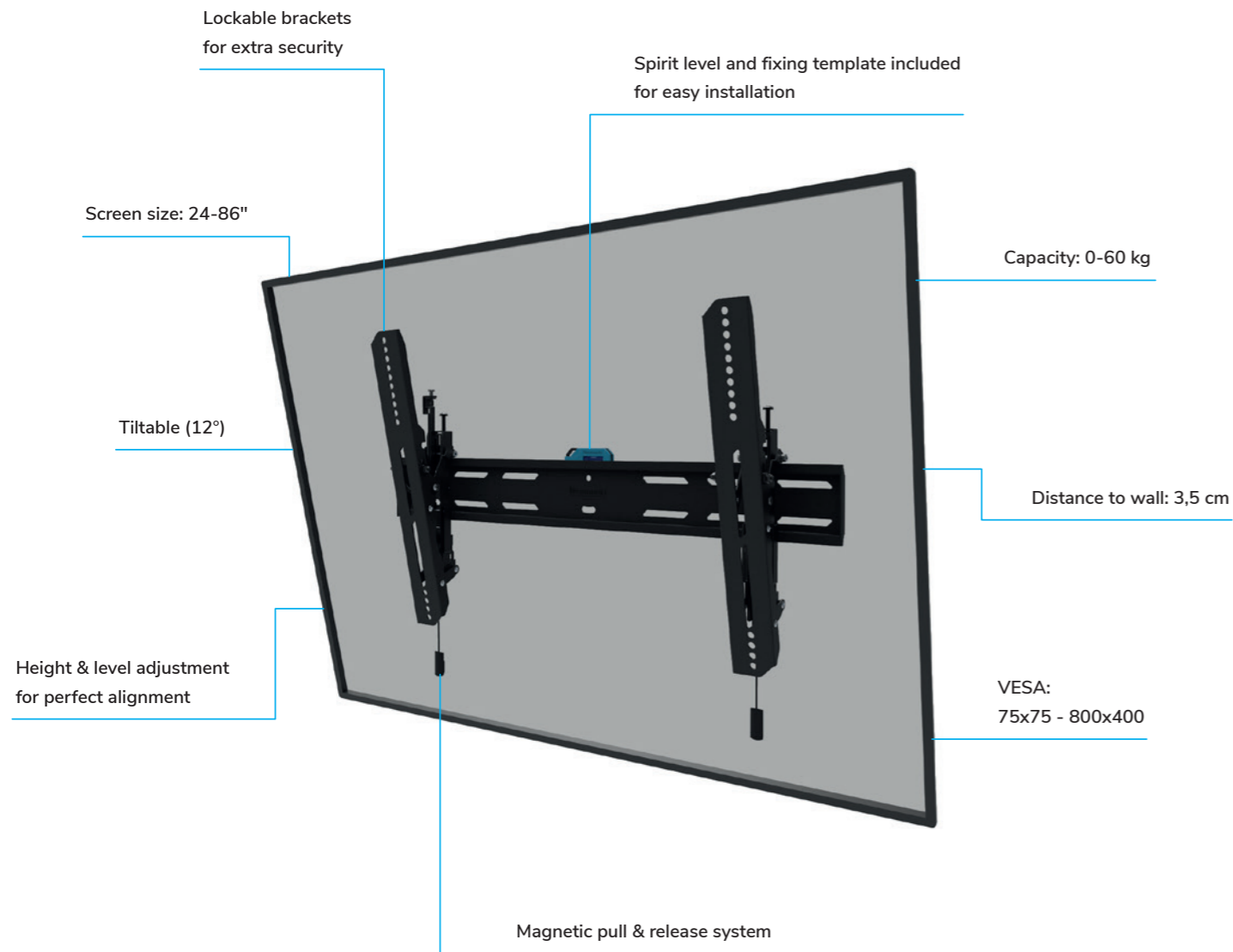




Range specification



Tilt



- Screens up to 86" (VESA 75x75 - 800x400)
- Tilt function for optimal viewing position
- Magnetic pull & release system for easy screen installation
- Height and level adjustment for perfect alignment

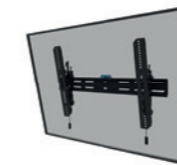
- Flat 3,5 cm profile
- Lockable brackets for extra security
- Magnetic spirit level and fixing template for quick installation



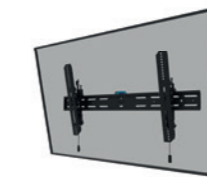
WL35S-850BL12
 Screen size: 24-65"
 Tilt: 12°
 Capacity: 40 kg
 VESA: 75x75 - 200x200



WL35S-850BL14
 Screen size: 32-75"
 Tilt: 12°
 Capacity: 50 kg
 VESA: 100x100 - 400x400



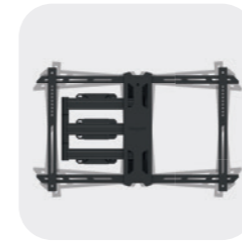
WL35S-850BL16
 Screen size: 42-86"
 Tilt: 12°
 Capacity: 60 kg
 VESA: 100x100 - 600x400



WL35S-850BL18
 Screen size: 43-86"
 Tilt: 12°
 Capacity: 60 kg
 VESA: 100x100 - 800x400

AV2-500BL/WH
 Universal videobar kit





Range specification



Full motion

- Screens up to 86" (VESA 100x100 - 800x400)
- Tilt and swivel function for optimal viewing position
- Level adjustment for perfect alignment
- Easy-release system for easy screen installation

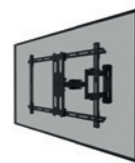
- Pull out system for flexible screen positioning
- Practical steel cable management
- Magnetic spirit level and fixing template for quick installation



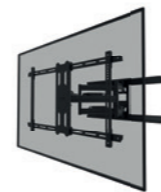
WL40S-850BL12
Screen size: 32-55"
Tilt: +12°/-2°, swivel: 60°
Capacity: 40 kg
VESA: 100x100 - 200x200



WL40S-850BL14
Screen size: 32-65"
Tilt: +12°/-2°, swivel: 45°
Capacity: 40 kg
VESA: 100x100 - 400x400



WL40S-850BL16
Screen size: 40-70"
Tilt: +12°/-2°, swivel: +45°/-45°
Capacity: 45 kg
VESA: 200x100 - 600x400



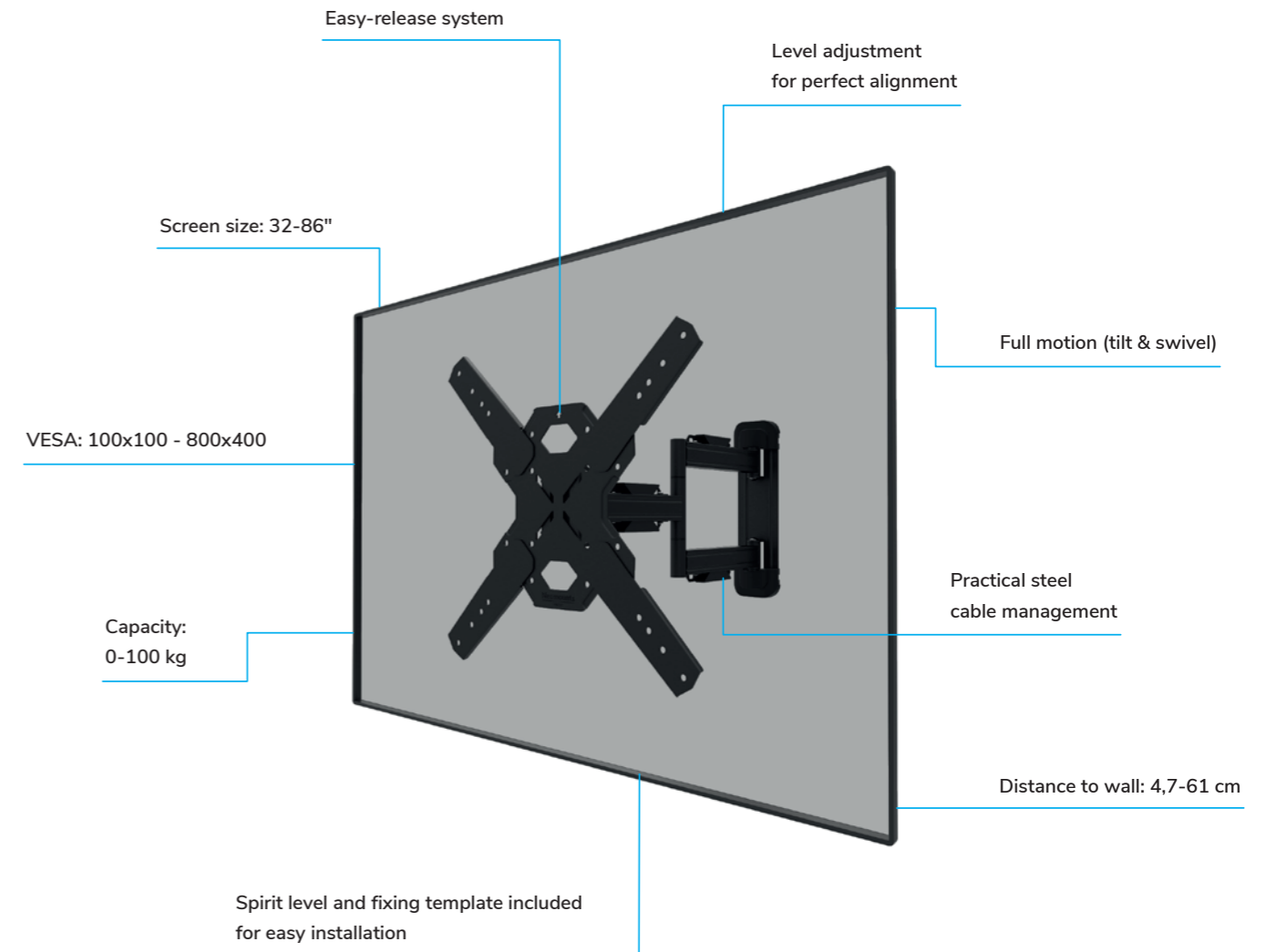
WL40S-850BL18
Screen size: 43-86"
Tilt: +15°/-3°, swivel: 35°
Capacity: 60 kg
VESA: 200x100 - 800x400



WL40S-840BL12
Screen size: 32-55"
Tilt: +12°/-2°, swivel: 30°
Capacity: 40 kg
VESA: 100x100 - 200x200



WL40S-840BL14
Screen size: 32-65"
Tilt: +12°/-2°, swivel: 25°
Capacity: 40 kg
VESA: 100x100 - 400x400



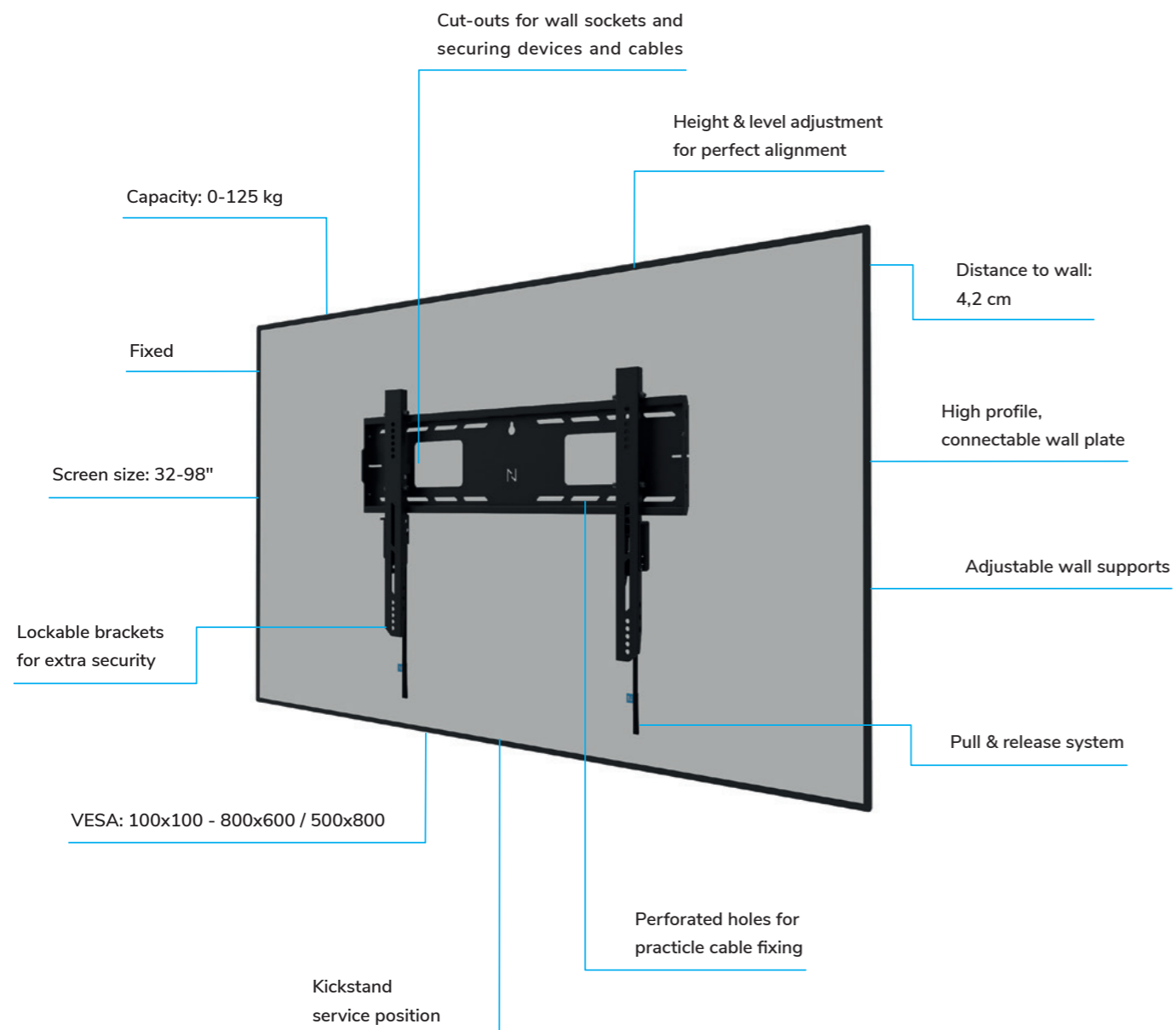
LEVEL | 750



Range specification



Fixed



LEVEL | 750

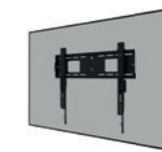


- Screens up to 98" (VESA 100x100 - 800x600)
- Steel high profile heavy-duty wall plate
- Pull & release system for easy screen installation
- Level adjustment for perfect alignment
- Individual height adjustable brackets with cable storage

- Slim 4,2 cm profile
- Portrait model available (VESA 100x100 - 500x800)
- Mountable even on uneven wall surfaces
- Lockable brackets for extra security
- Kickstand service position for easy access
- Connectable wall plate for multiple screen mounting



WL30-750BL14
Screen size: 32-75"
Capacity: 100 kg
VESA: 100x100 - 400x400



WL30-750BL16
Screen size: 42-86"
Capacity: 125 kg
VESA: 100x100 - 600x400



WL30-750BL18
Screen size: 43-98"
Capacity: 125 kg
VESA: 100x100 - 800x600



WL30-750BL18P
Screen size: 50-98", portrait
Capacity: 100 kg
VESA: 100x100 - 500x800



AWL05-750BL
AV hardware rack
Capacity: 10 kg
For Apple-TV, mini-PC, NUC and more
Suitable as backplate connector for multiple screen setup



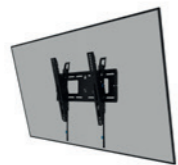
AV2-500BL/WH
Universal videobar kit





- Screens up to 98" (VESA 100x100 - 800x600)
- Tilt function for optimal viewing position
- Steel high profile heavy-duty wall plate
- Pull & release system for easy screen installation
- Individual height adjustable brackets with cable storage

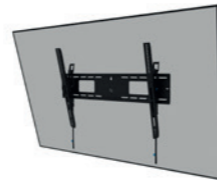
- Mountable even on uneven wall surfaces
- Level adjustment for perfect alignment
- Lockable brackets for extra security
- Tilt lock for safe installation
- Connectable wall plate for multiple screen mounting



WL35-750BL14
Screen size: 32-75"
Tilt: +15°/-15°
Capacity: 100 kg
VESA: 100x100 - 400x400



WL35-750BL16
Screen size: 42-86"
Tilt: +15°/-15°
Capacity: 125 kg
VESA: 100x100 - 600x400



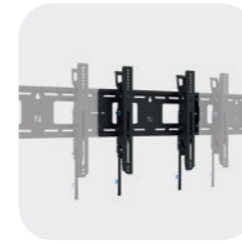
WL35-750BL18
Screen size: 43-98"
Tilt: +15°/-15°
Capacity: 125 kg
VESA: 100x100 - 800x600



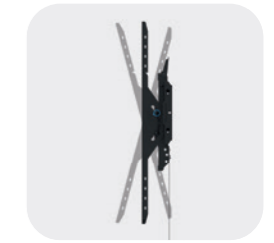
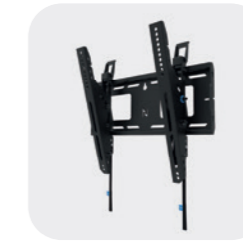
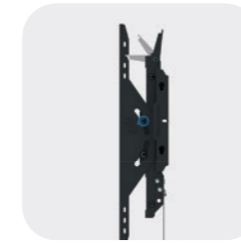
AWL05-750BL
AV hardware rack
Capacity: 10 kg
For Apple-TV, mini-PC, NUC and more
Suitable as backplate connector for multiple screen setup



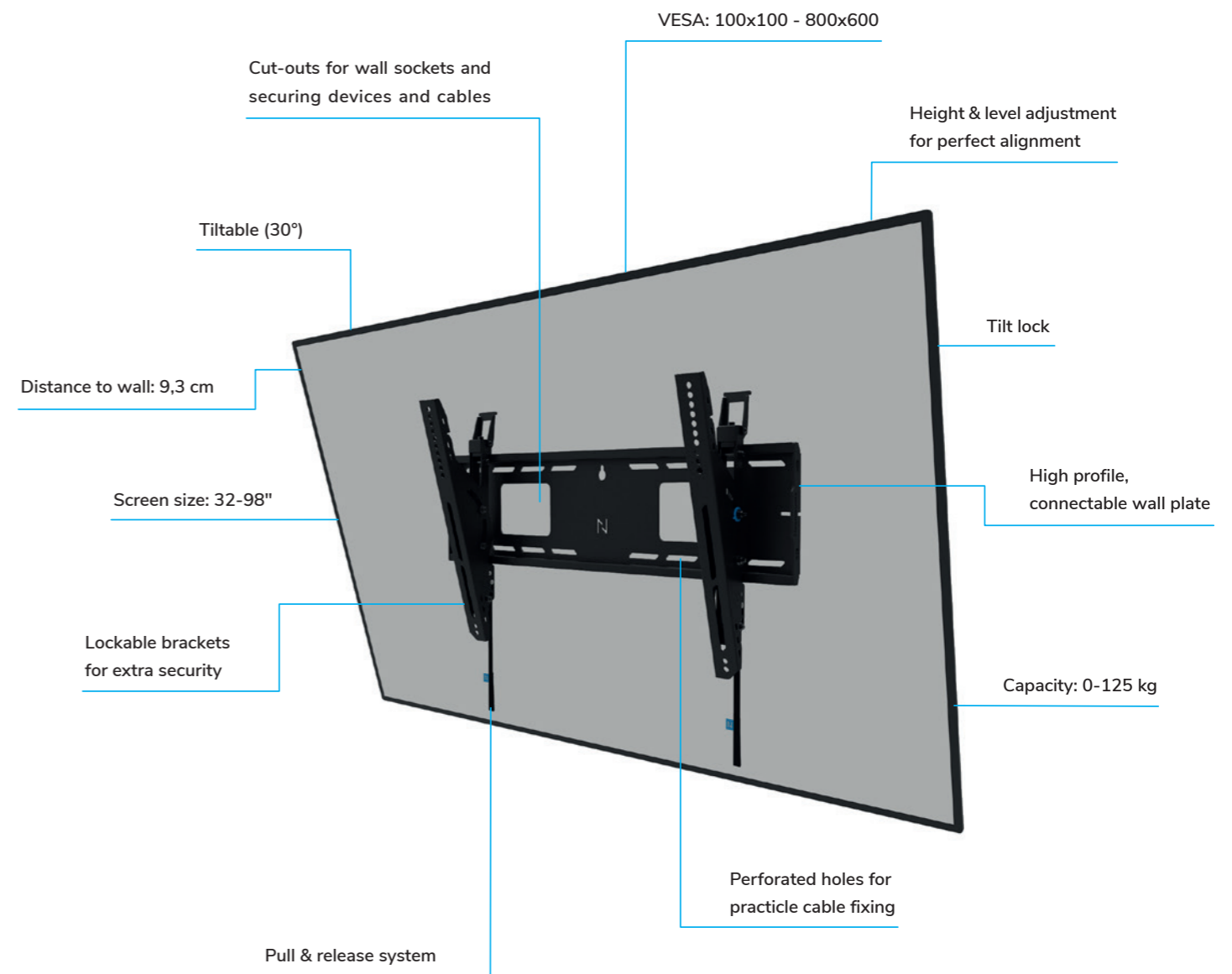
AV2-500BL/WH
Universal videobar kit



Range specification



Tilt



Information & support

Neomounts offers the most comprehensive, up-to-date assortment of high-quality mounting solutions, according to the latest trends in the AV and IT market.

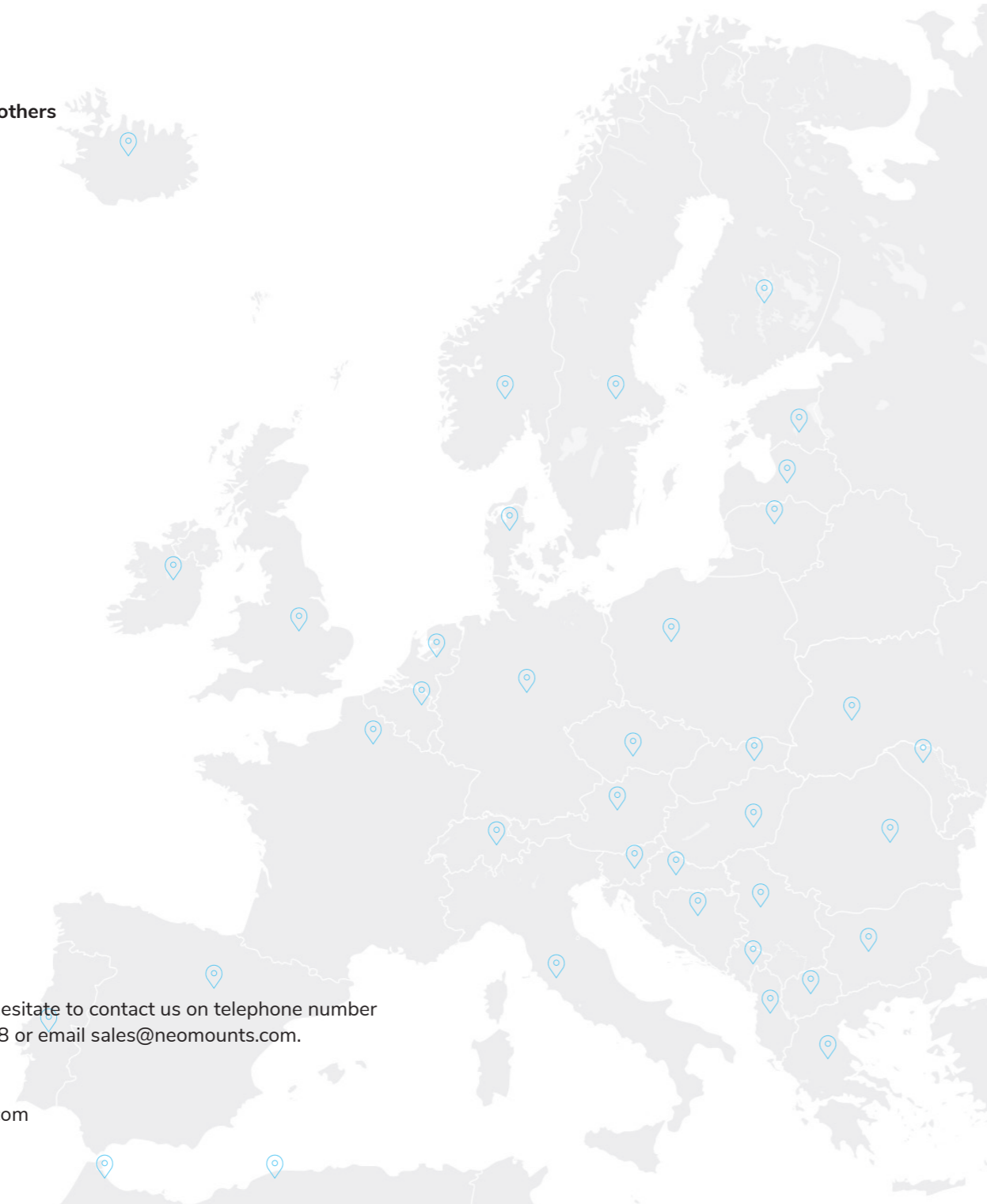
The products in the assortment of Neomounts are designed with an eye for detail, quality, value for money and ease of installation. Our mission is that you always experience the best viewing and working position, resulting in optimal posture and maximum comfort whilst using your screen.

With over 25 years of experience, Neomounts offers the best mounting solutions for you and your customers. The products are available worldwide through an extensive network of distributors and resellers in the Office, IT and AV channels.

We offer the best support for your business with:

- > Local sales support
- > Special bid price support for large projects
- > Demo units
- > Fast delivery
- > 5 year warranty

We rise by lifting others



Questions? Don't hesitate to contact us on telephone number +31(0)23-5478888 or email sales@neomounts.com.

www.neomounts.com

© All rights reserved. Whilst every effort has been made to ensure the accuracy of the information in this brochure, Neomounts cannot be held responsible for any inaccuracies, errors or omissions. The images and information are subject to change and not binding.

GM|G

Neomounts is part of the Global Mounts Group, that offers the most extensive range of advanced mounting solutions for professional AV and IT applications.

www.globalmountsgroup.com

